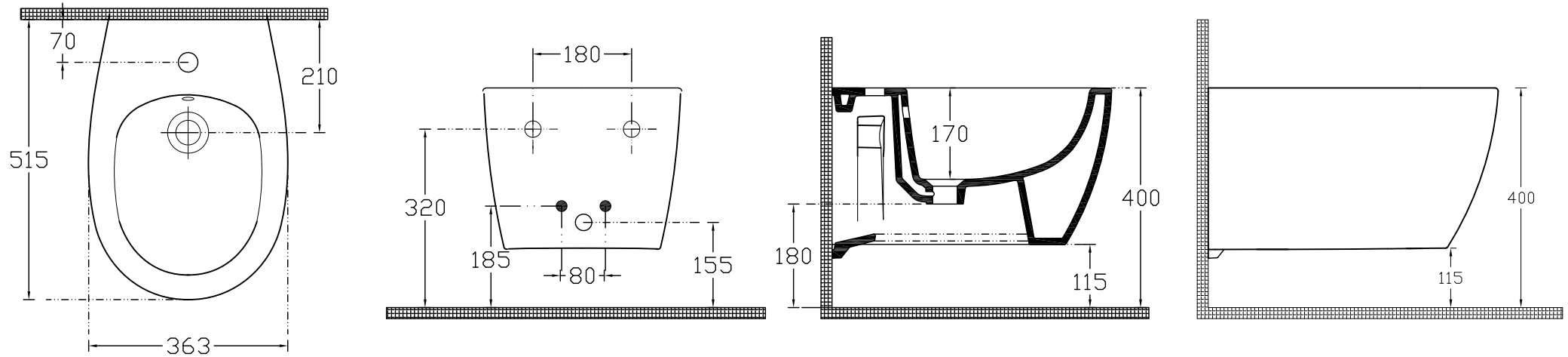




# ISVEA

1962 ITALIA

TECHNICAL DRAWING



CODE : 76496

DESCRIPTION : SENTIMENTI NEO WALL HUNG BIDET

TOLERANCE / TOLERANS : 100 mm  $\pm$  1 %

MADE IN TURKEY