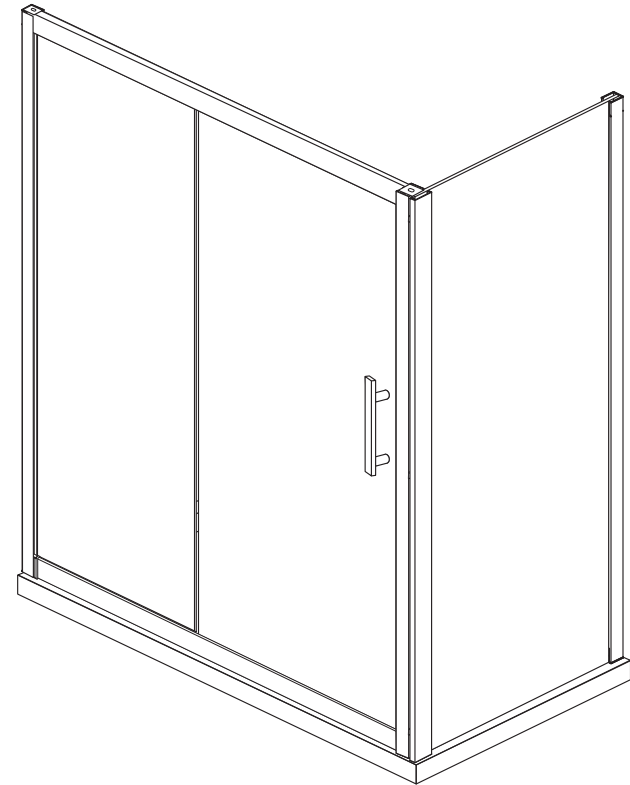


ZEUS Stainless steel sliding door

Installation with one side panel



IPERCERAMICA
wellness

This product has been imported by:
BayKer Italia S.p.A. - via Ghiarola Nuova, 85/87-41042 Fiorano Modenese (Modena)-ITALY

◆ General Information

Please inspect the product immediately upon receipt for transit damage, missing packs/parts or manufacturing fault. Damage reported later cannot be accepted. Please handle the product with care avoiding knocks and shock loading to all sides and edges of the glass.

Notes: Safety glass can not be re-worked.

Please read these instructions carefully before start of installation.

Special care should be taken when drilling walls to avoid hidden pipes or electrical cables.

Note: This product is heavy and may require two people to install.

Aftercare instructions

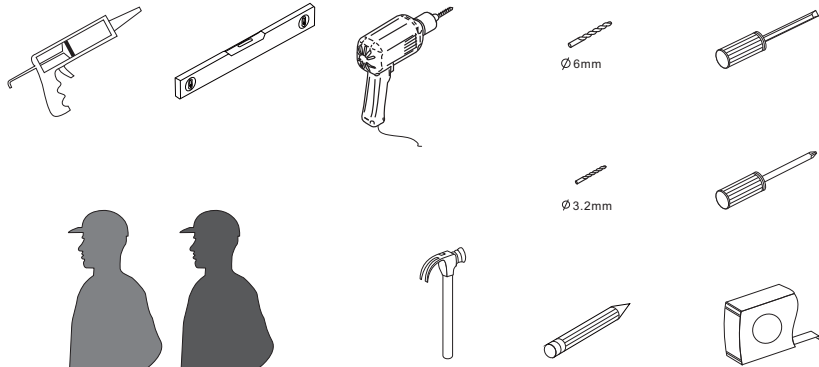
After use, your shower should be cleaned with soap and water. This is particularly important in hard water districts where insoluble lime salts may be deposited and allowed to build up.

Cleaners of a gritty or abrasive nature should not be used. Care should be taken to avoid contact with strong chemicals such as organic solvents and strippers.

Glass cleaners can be used but with caution, if in doubt contact the manufacturer of the cleaner in question.

Please keep these instructions for aftercare and customer service details.

Tools Required



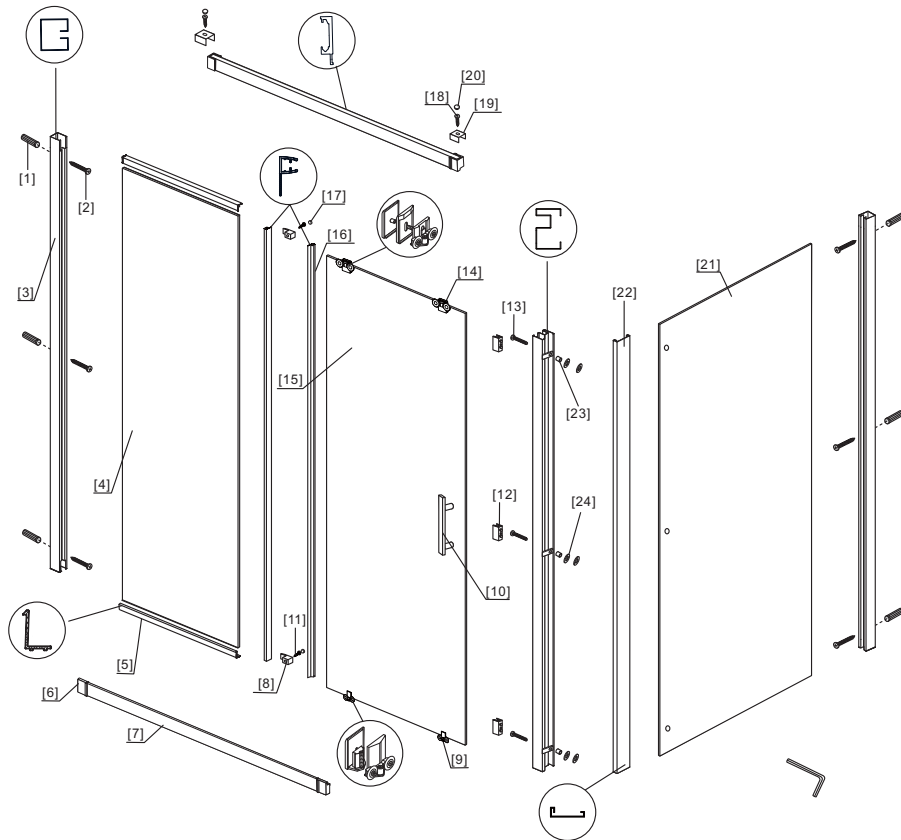
This product is heavy and may require two people to install.



◆ Box Contents:

<p>[1] 2xHorizontal Rails. 2xFlat Screws M4x8. 2xScrew Cover Caps. 1xLube.</p>	<p>➔</p>	
<p>[2] 1xInstallation Instruction.</p>	<p>➔</p>	
<p>[3] 1xHandle Sets.</p>	<p>➔</p>	
<p>[4] 6xProfile Covers. 4x Covers. 3xScrews M4x22. 3xRetainers. 6xWashers. 1xSpanner.</p>	<p>➔</p>	
<p>[6] 2xBottom Hooks. 2xScrews M4x8 2xScrew Cover Caps.</p>	<p>➔</p>	
<p>[7] 6xWall Plugs. 6xFlat Screws M4x35. 3xBlocks To Wall.</p>	<p>➔</p>	
<p>[9] 4xWater Deflectors. 4xDeflectors.</p>	<p>➔</p>	
<p>[10] 3xAmortigua-Cristales.</p>	<p>➔</p>	
<p>[11] 1xCorner Post. 3xWall Posts.</p>	<p>➔</p>	
<p>[13] 2xFixed Panels.</p>	<p>➔</p>	
<p>[14] 1xDoor Panel.</p>	<p>➔</p>	

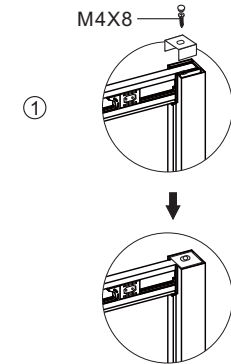
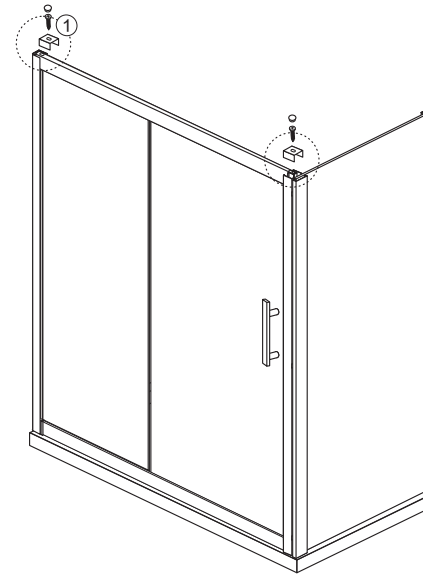
◆ Assembly Drawing



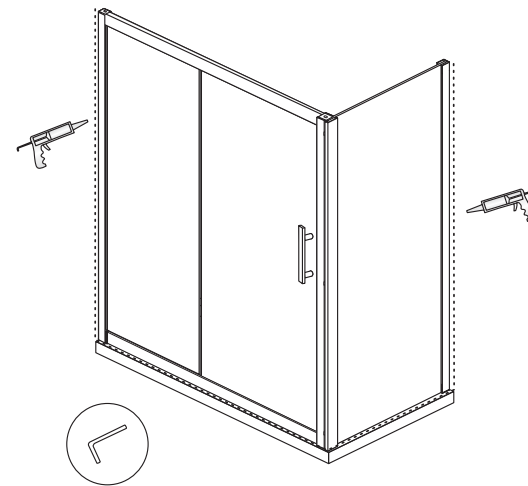
- [1] 6xWall Plugs
- [2] 6xFlat Screws ST4x35
- [3] 3xWall Posts
- [4] 1xFixed panel
- [5] 2xDeflectors
- [6] 4xProfile Covers
- [7] 2x Horizontal Rails
- [8] 2xBumper Blocks
- [9] 2xBottom Rolls
- [10] 1xHandle Set
- [11] 2xScrews St4x8
- [12] 3xBumper Blocks
- [13] 3xScrews M4x22

- [14] 2xTop Rolls
- [15] 2xScrew Cover Caps
- [16] 2xWater Deflectors
- [17] 2xCover Caps
- [18] 4xScrews ST4x8
- [19] 2xProfile Covers
- [20] 2xScrew Cover Caps
- [21] 1xFixed panel
- [22] 1xCorner Post
- [23] 3xRetainers
- [24] 6xWashers

Step 9

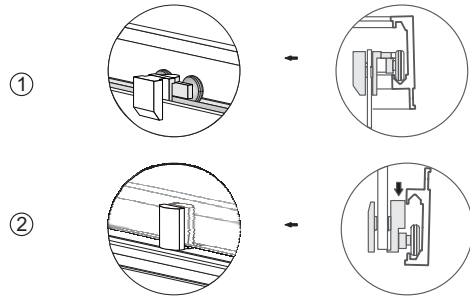
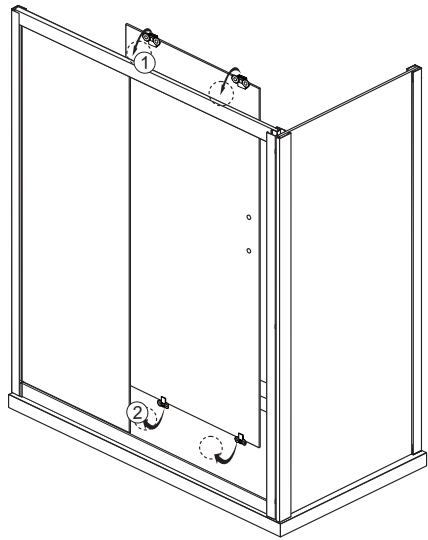


Step 10

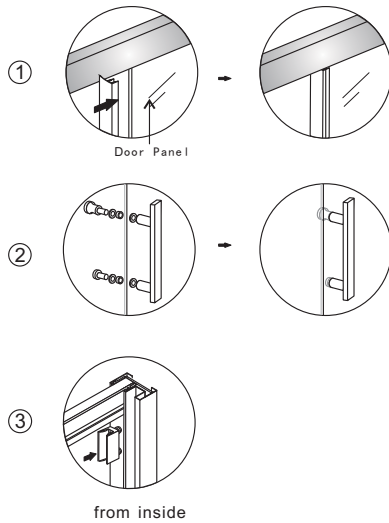
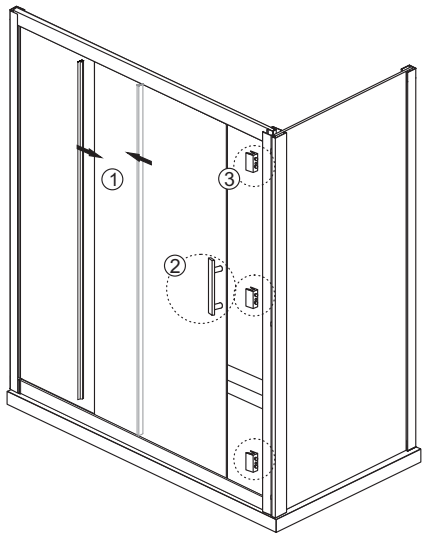


Allow 24 hours for silicone to dry before use.

Step 7

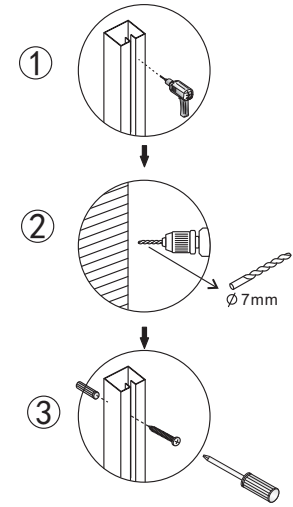
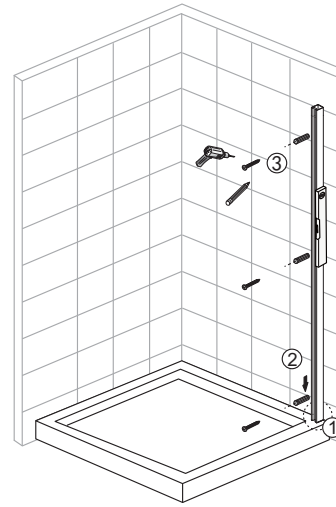


Step 8



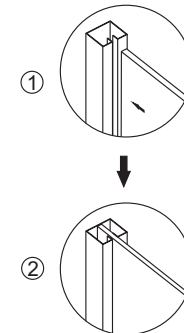
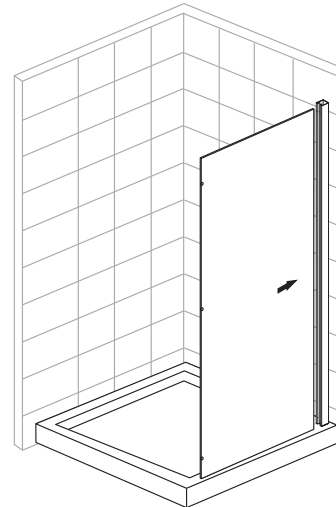
◆ Installation Steps

Step 1

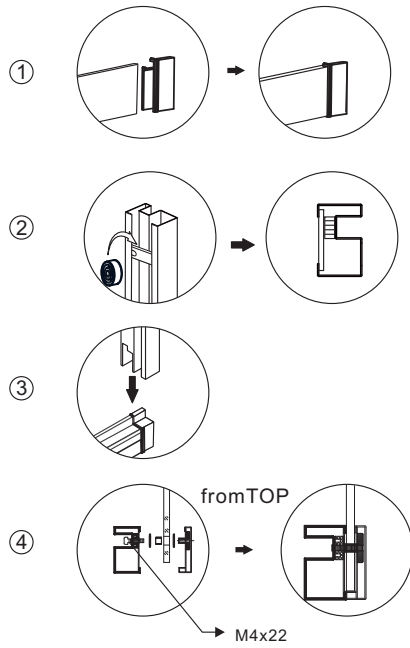
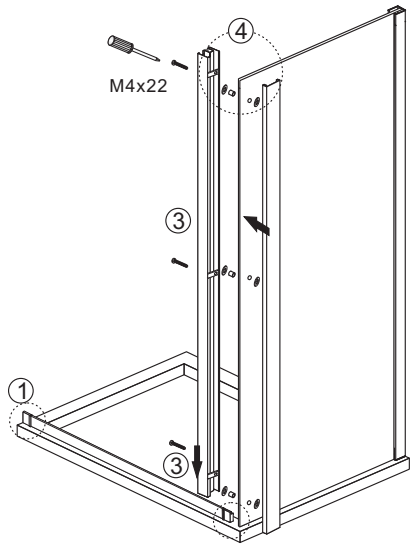


Screw ST4x35

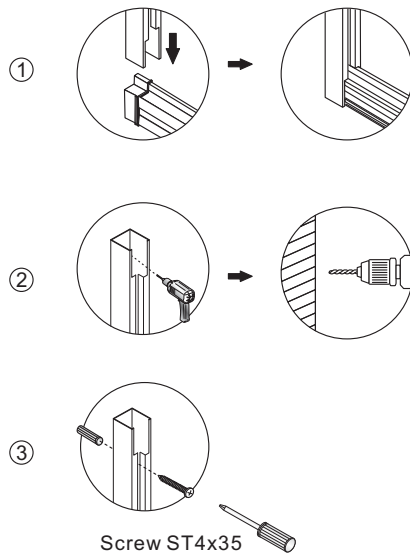
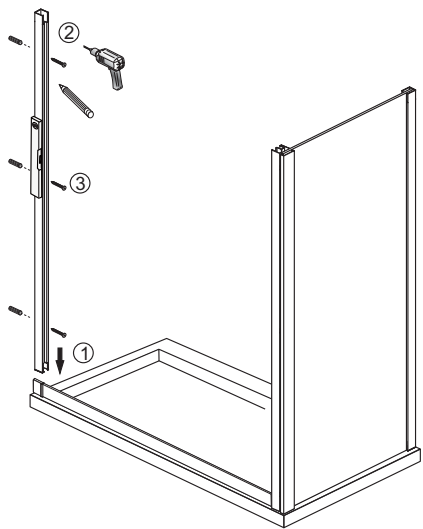
Step 2



Step 3

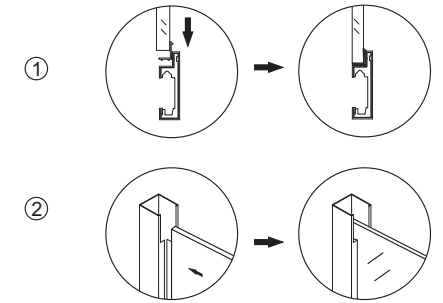
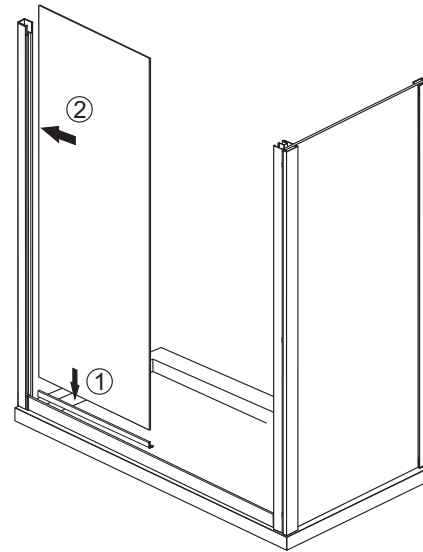


Step 4

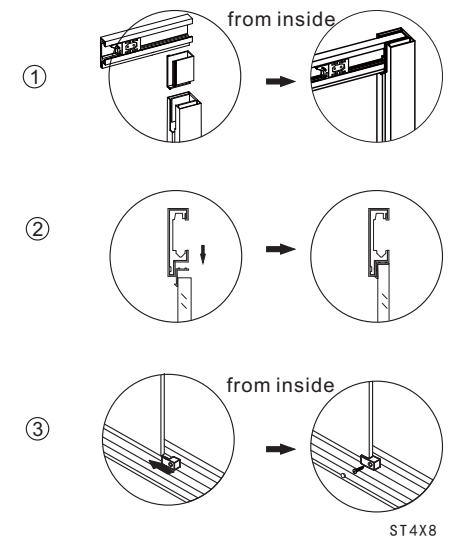
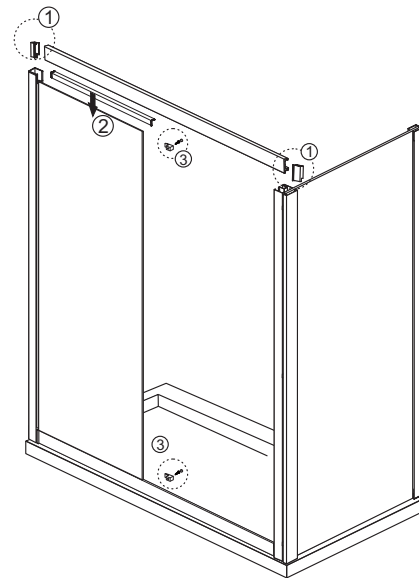


Screw ST4x35

Step 5



Step 6



ST4x8