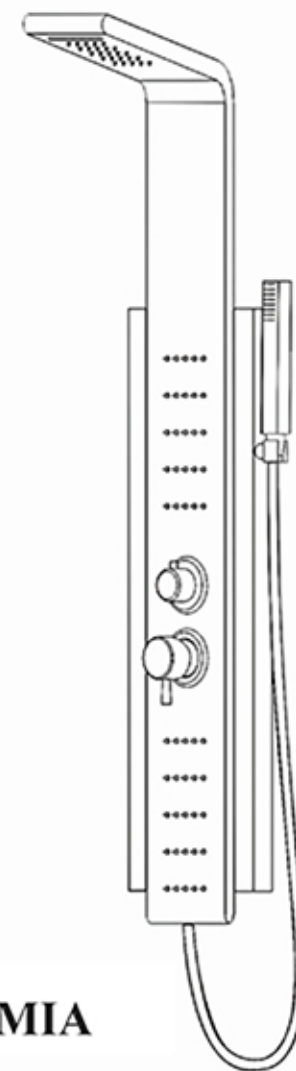


**IPERCERAMICA**  
wellness

[www.iperceramica.it](http://www.iperceramica.it)

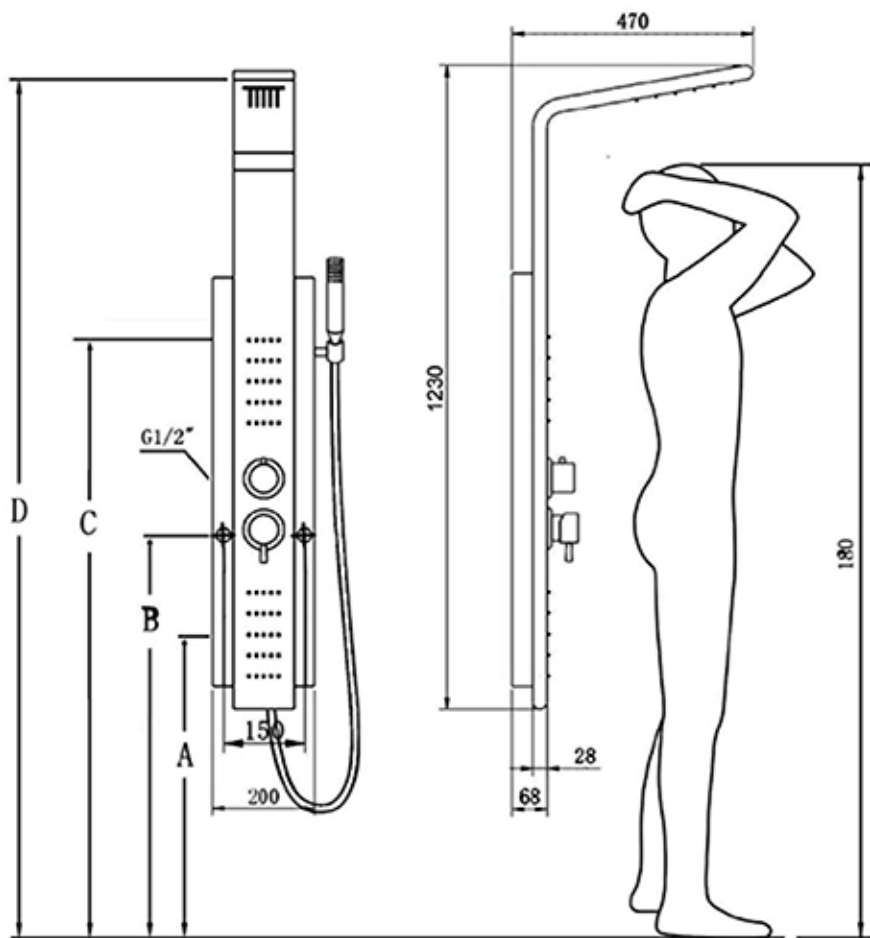
Prodotto e importato da:  
BayKer Italia S.p.A  
Via Ghiarola Nuova, 85/87  
41042 Fiorano Modenese (MO) Italy



**Shower Panel MIA**

**IPERCERAMICA**  
wellness  
[www.iperceramica.it](http://www.iperceramica.it)

## Installation Guide



### Technical Information

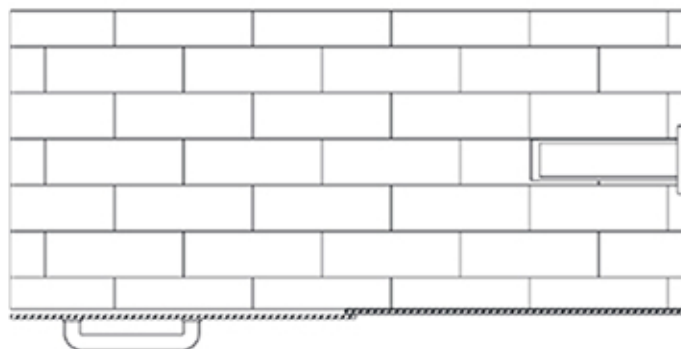
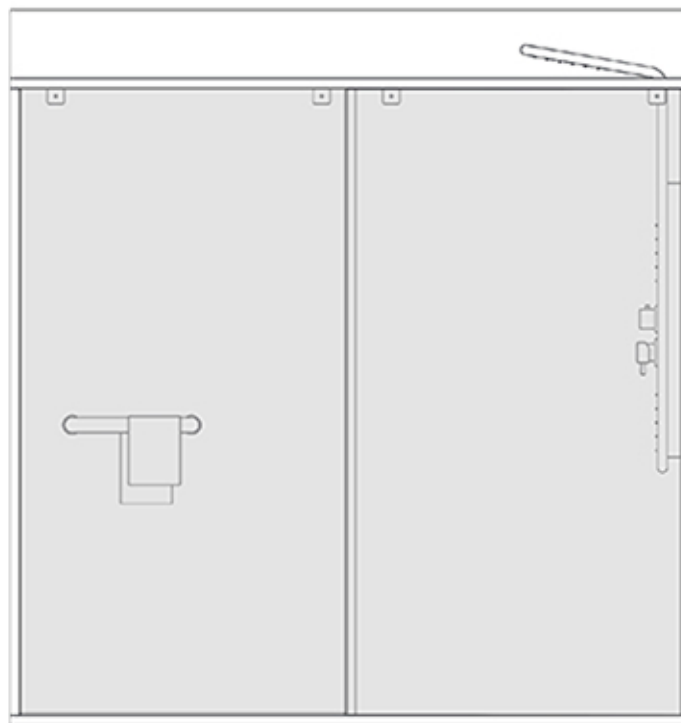
Recommended pressure: 3-5 kgs/cm<sup>2</sup>

Minimum pressure: 1 kgs/cm<sup>2</sup> = 0.97 atmospheres = 0.981 bar

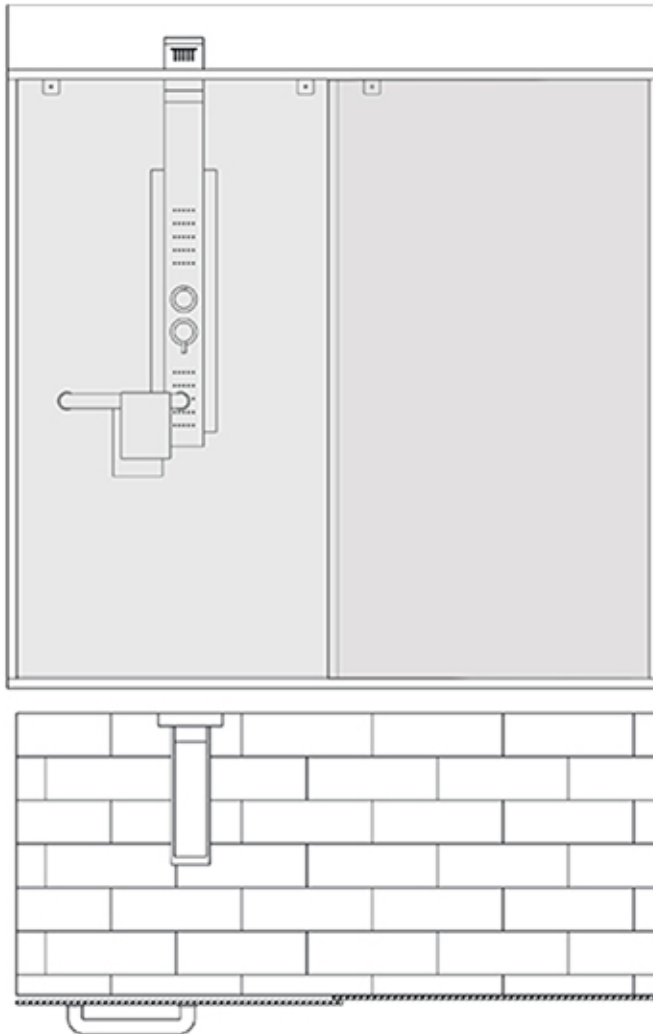
Maximum pressure: 6 kgs/cm<sup>2</sup> = 7.26 atmospheres = 7.36 bar

	Unit:cm			
User Height	A	B	C	D
170	89	105	153	200
180	99	115	163	210
190	109	125	173	220

## CORRECT Installation position



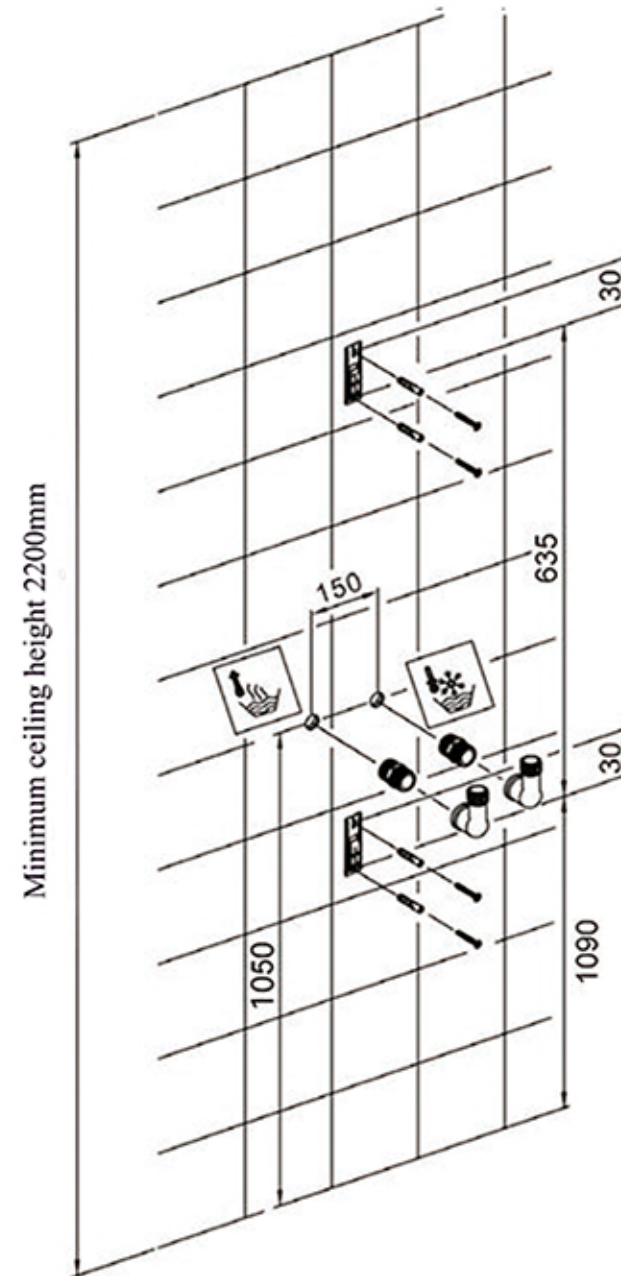
## WRONG Installation position

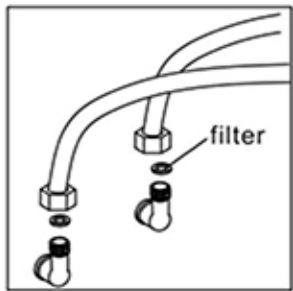


### ATTENTION:

Do not install the Shower Panel with water jets in front of a shower enclosure door.  
For a correct installation, please install the Shower Panel perpendicularly to the shower door to avoid water spills.

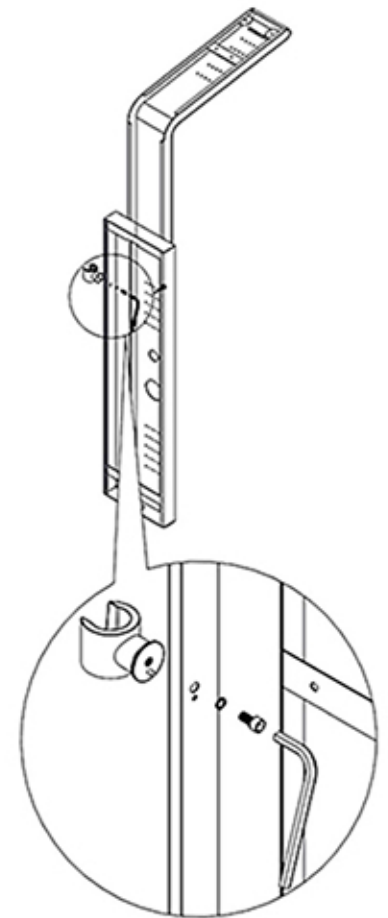
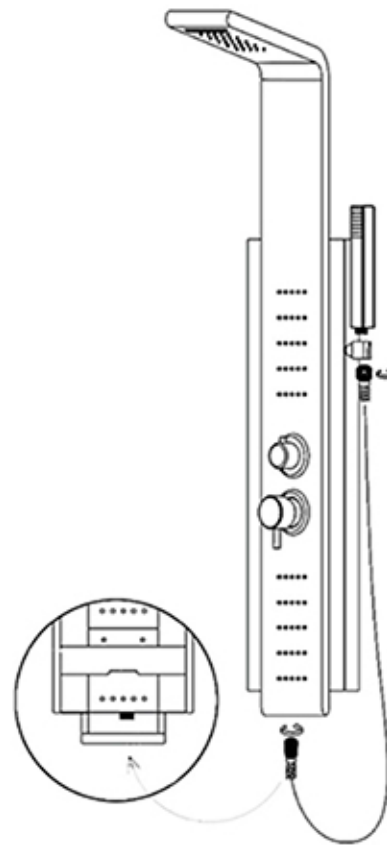
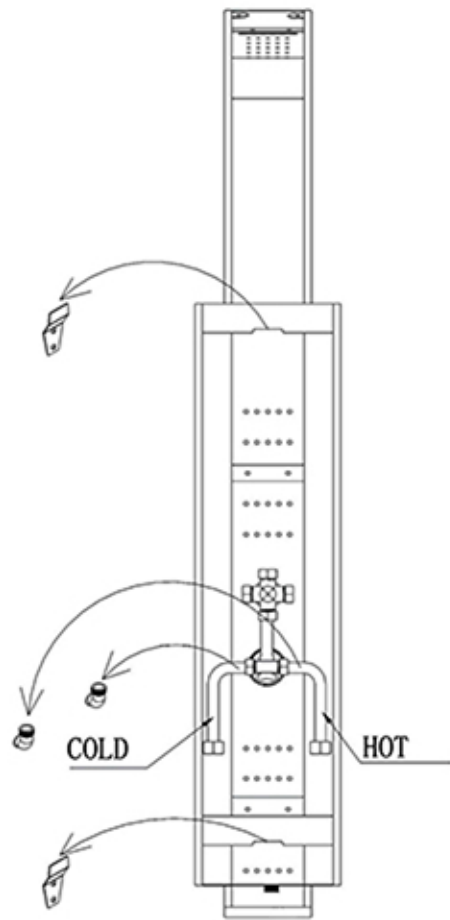
## Installation Instruction



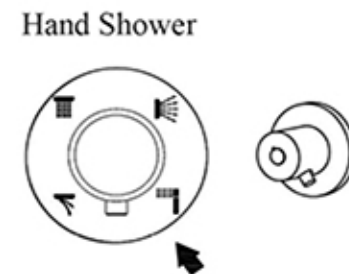
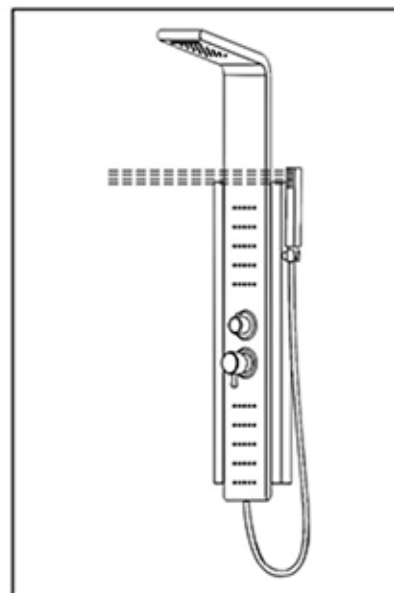
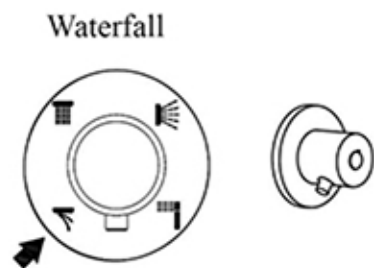
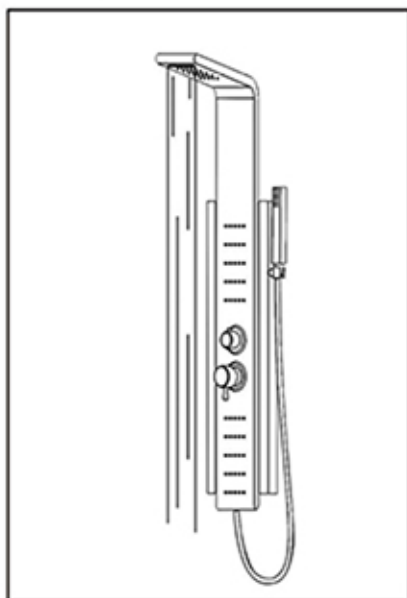
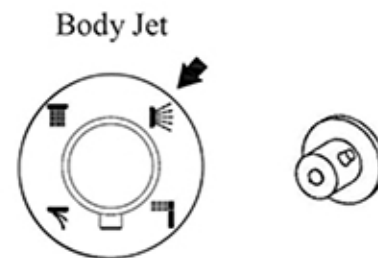
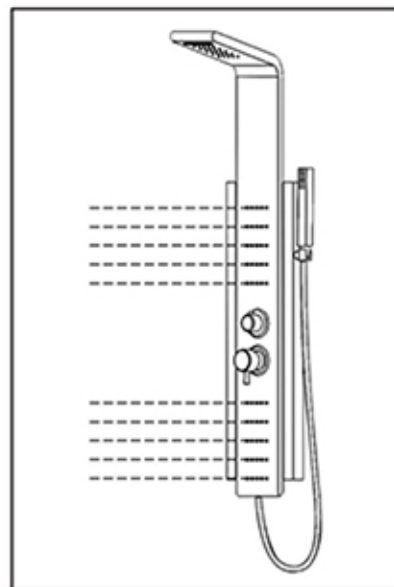
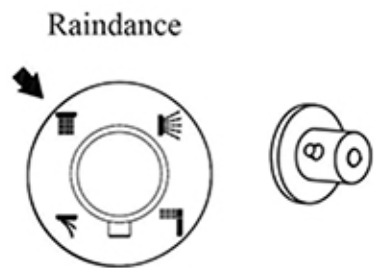
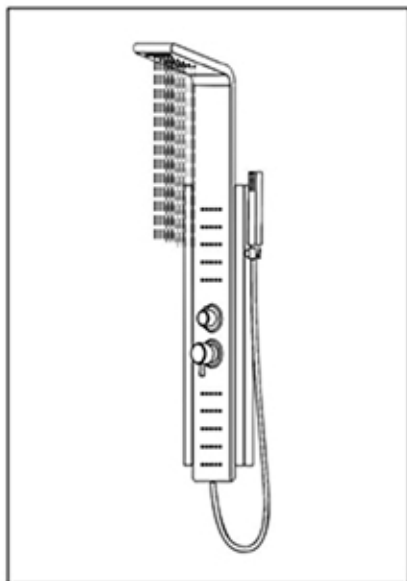


### Maintenance

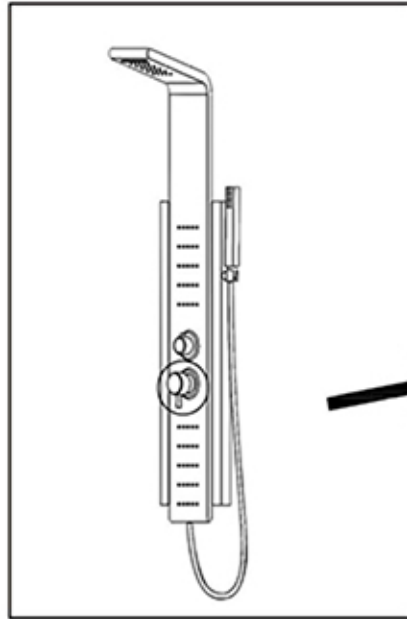
If the power of the jets lose strength overtime, disassemble and clean the filters.



# Instructions For Use



## Care and Maintenance



Use the mixer



Washing body with clean water and wipe with soft cotton cloth.



Not washing body with cleaning powder, chemical, brushes and cloth with rough surface.



Not washing body with acidic detergent.



Not pulling the shower hose forcibly in order to avoid the hose cracks.

