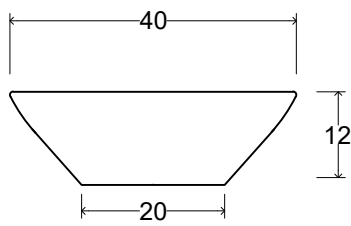
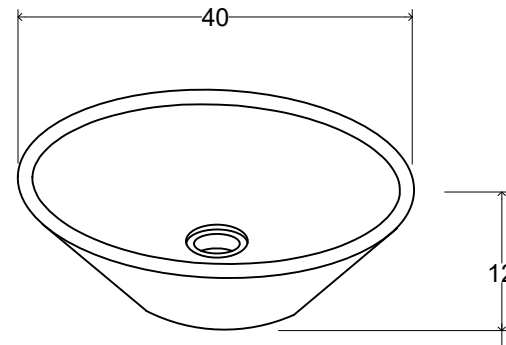
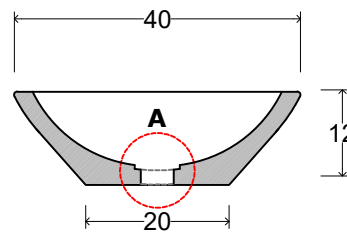


TOP VIEW
T.Atas

Hole Washbasin
Outside \varnothing 6.5cm
Inside \varnothing 4.5 cm



FRONT VIEW
T.Depan



SECTION

A

