

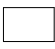
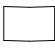


Must comply with the shape guide

Main component thickness 20 mm
Thickness of support components 20 mm

	9
	16
	8
	8
Parts	Quantities

