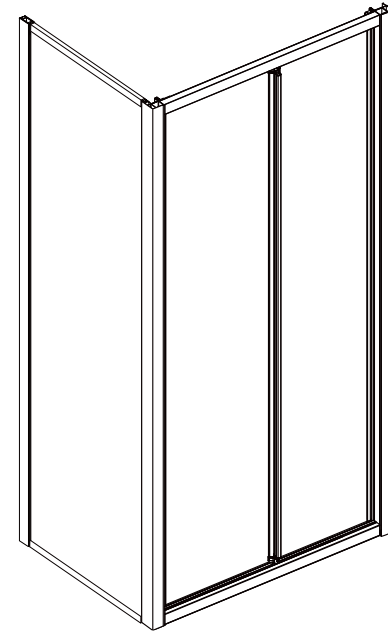


NEPTUM Bi-Fold Doors
Installation with one side panel
REVERSIBLE



IPERCERAMICA
wellness

This product has been imported by:
BayKer Italia S.p.A. - via Ghiarola Nuova,85/87-41042 Fiorano Modenese (Modena)-ITALY



General Information

Please inspect the product immediately upon receipt for transit damage, missing packs/parts or manufacturing fault. Damage reported later cannot be accepted. Please handle the product with care avoiding knocks and shock loading to all sides and edges of the glass.

Notes: Safety glass can not be re-worked.

Please read these instructions carefully before start of installation.

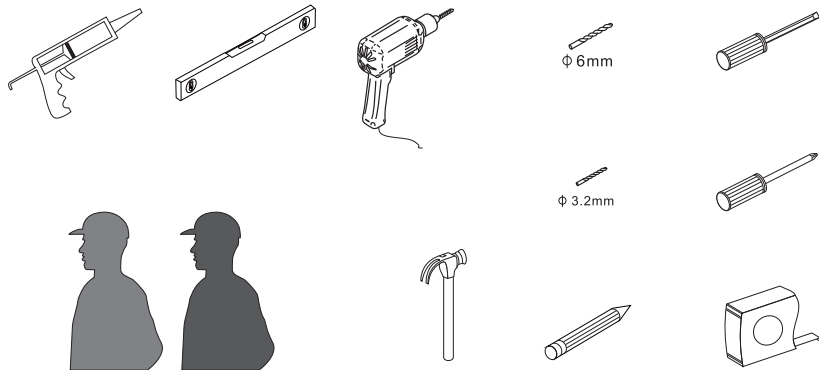
Special care should be taken when drilling walls to avoid hidden pipes or electrical cables.

Note: This product is heavy and may require two people to install.

Aftercare instructions

After use, your shower enclosure should be cleaned with soap and warm water only. This is particularly important in hard water areas where insoluble lime salts may be deposited and allowed to build up. For cleaning purposes, please use soap and warm water or vinegar and warm water. **DO NOT** use abrasive cleaners. **DO NOT** use bleach based products. Many household cleaners contain abrasive and chemical substances and should not be used for cleaning plated or plastic fittings. Please keep these instructions for aftercare and customer service details.

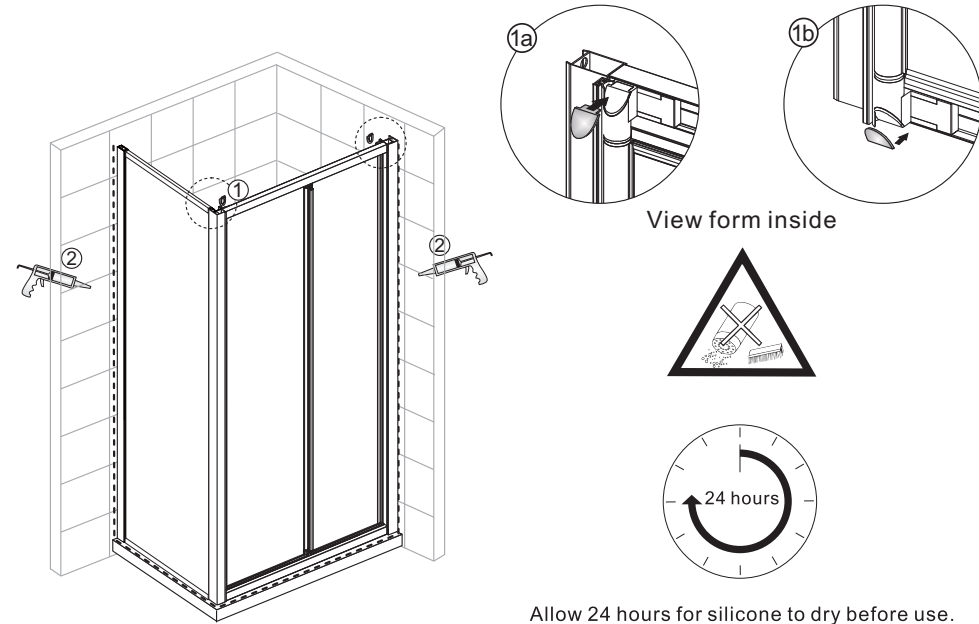
Tools Required



This product is heavy and may require two people to install.

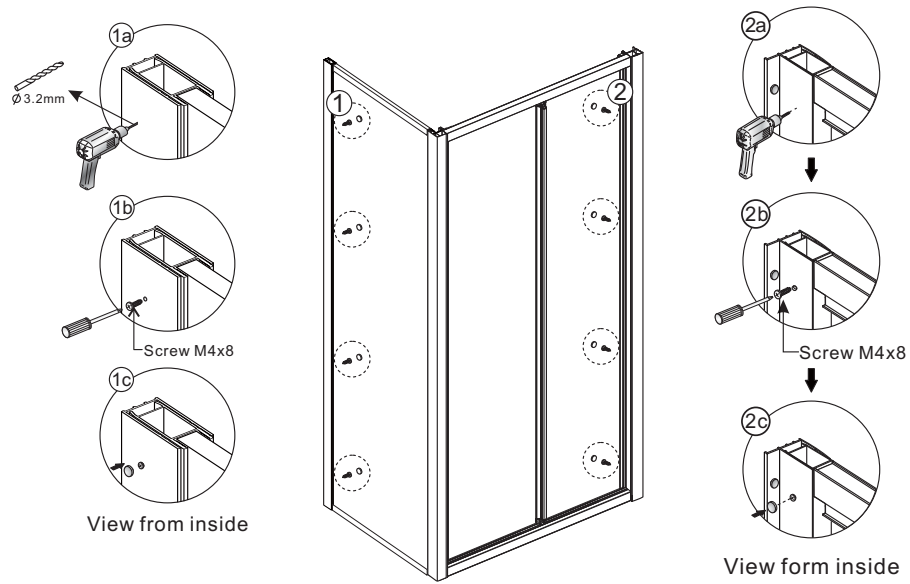


Step 5

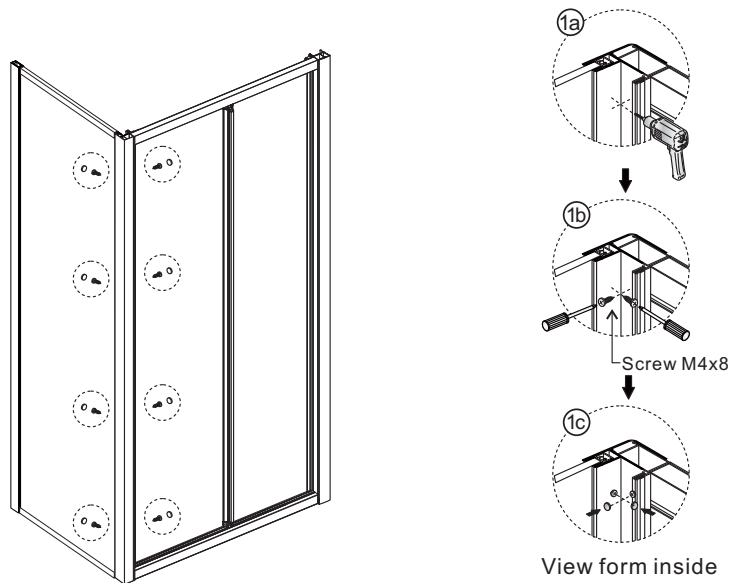


Allow 24 hours for silicone to dry before use.

Step 3



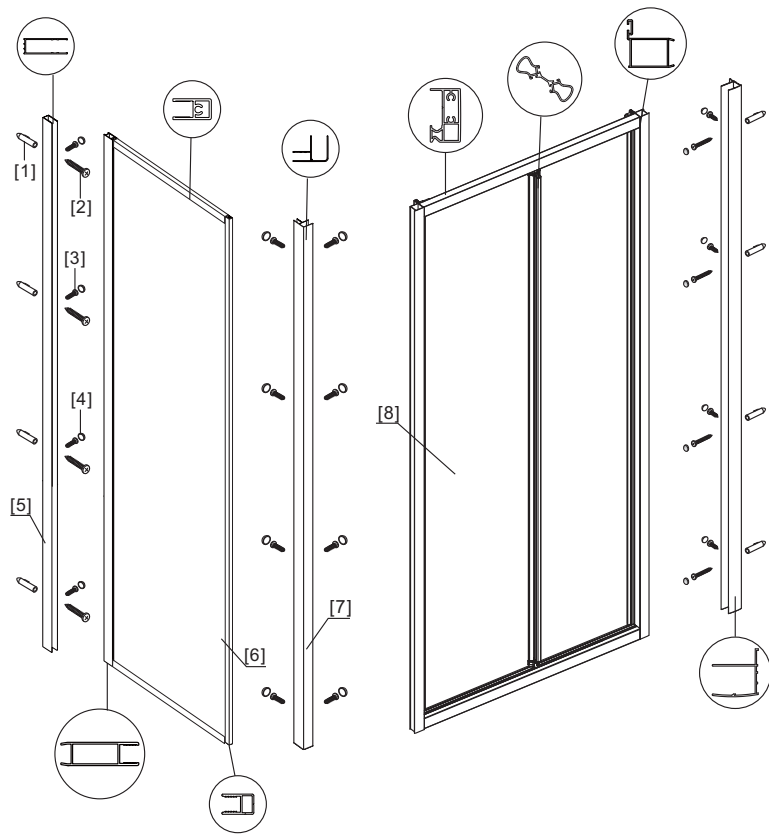
Step 4



◆ Box Contents

[1] 1xInstallation Instruction.	➔	
[2] 8xWall Plugs. 8xScrews M4x35. 16xScrews M4x8. 20xScrew Cover Caps.	➔	
[3] 1xCorner Post. 2xPosts .	➔	
[4] 1xSide Panel	➔	
[5] 1xDoor Panel	➔	

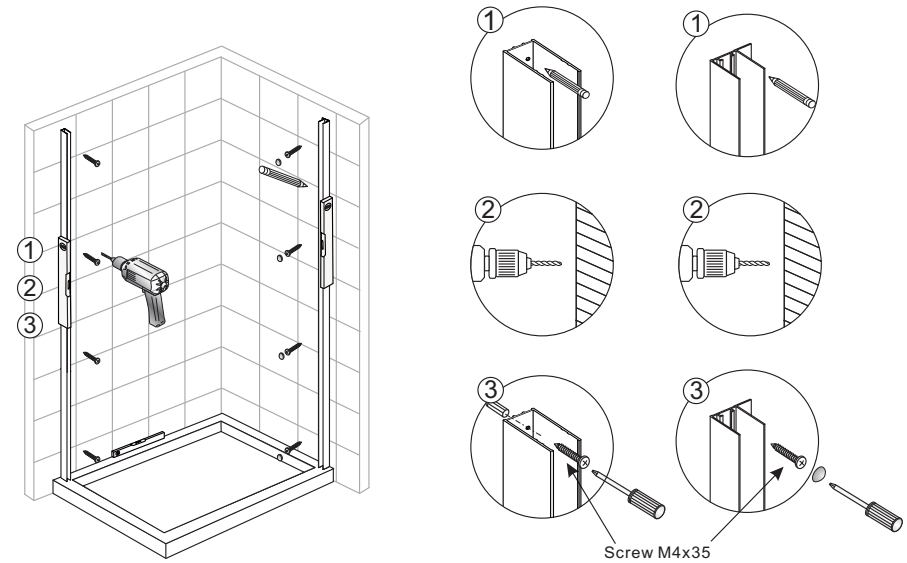
◆ Assembly Drawing



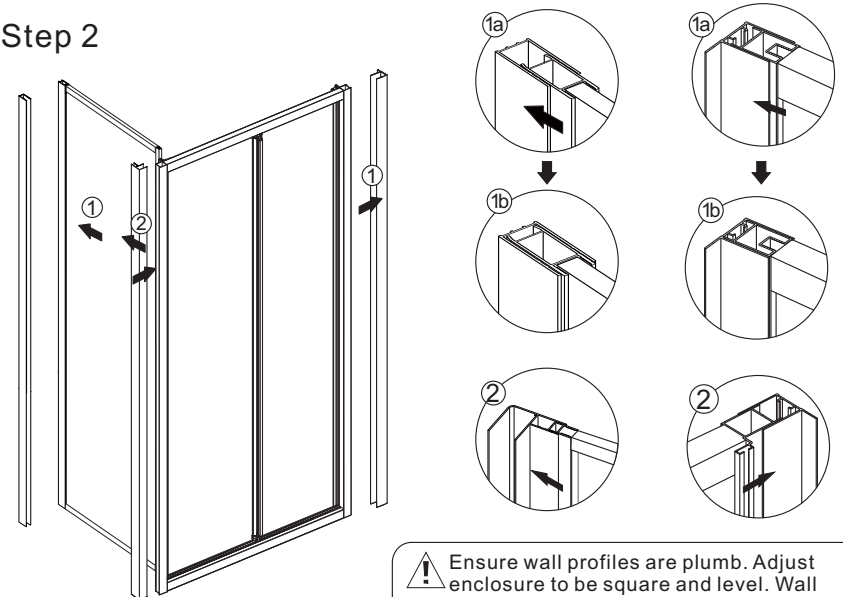
- | | |
|-------------------------|------------------|
| [1] 8xWall Plugs | [5] 2xWall Posts |
| [2] 8xScrews M4x35 | [6] 1xSide Panel |
| [3] 16xScrews M4x8 | [7] 1xPost |
| [4] 16xScrew Cover Caps | [8] 1xDoor Panel |

◆ Installation Steps

Step 1



Step 2



⚠ Ensure wall profiles are plumb. Adjust enclosure to be square and level. Wall post and profile should be adjust to square the doors and Ensure open door smooth.