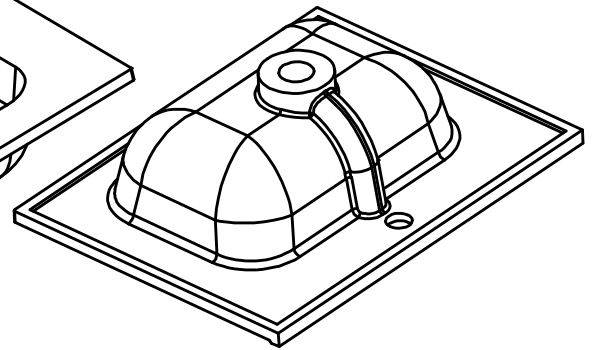
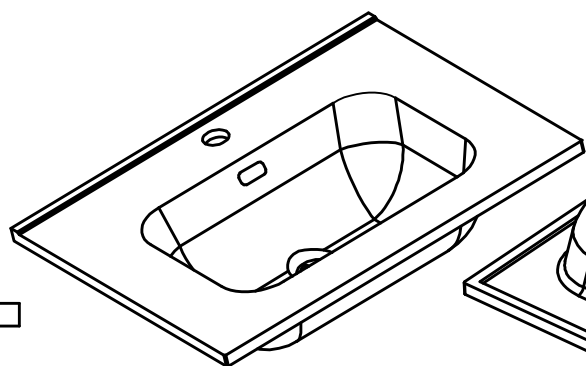
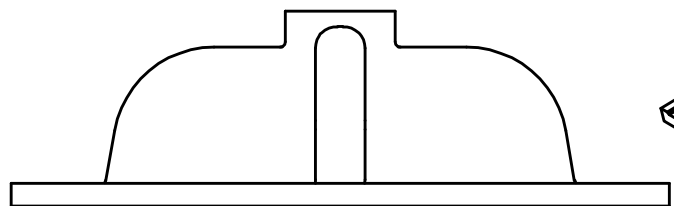
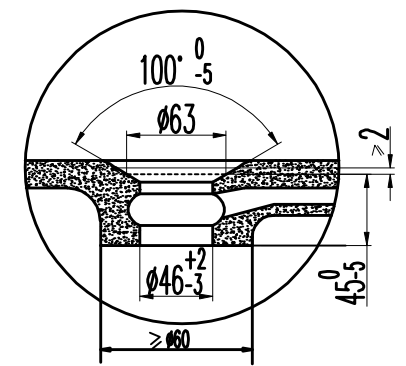
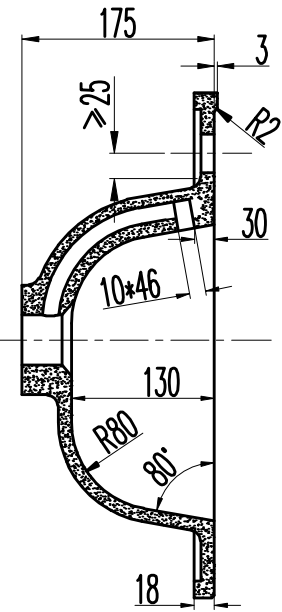


$\perp 1.5 A$

A - A



50202

605*460*175