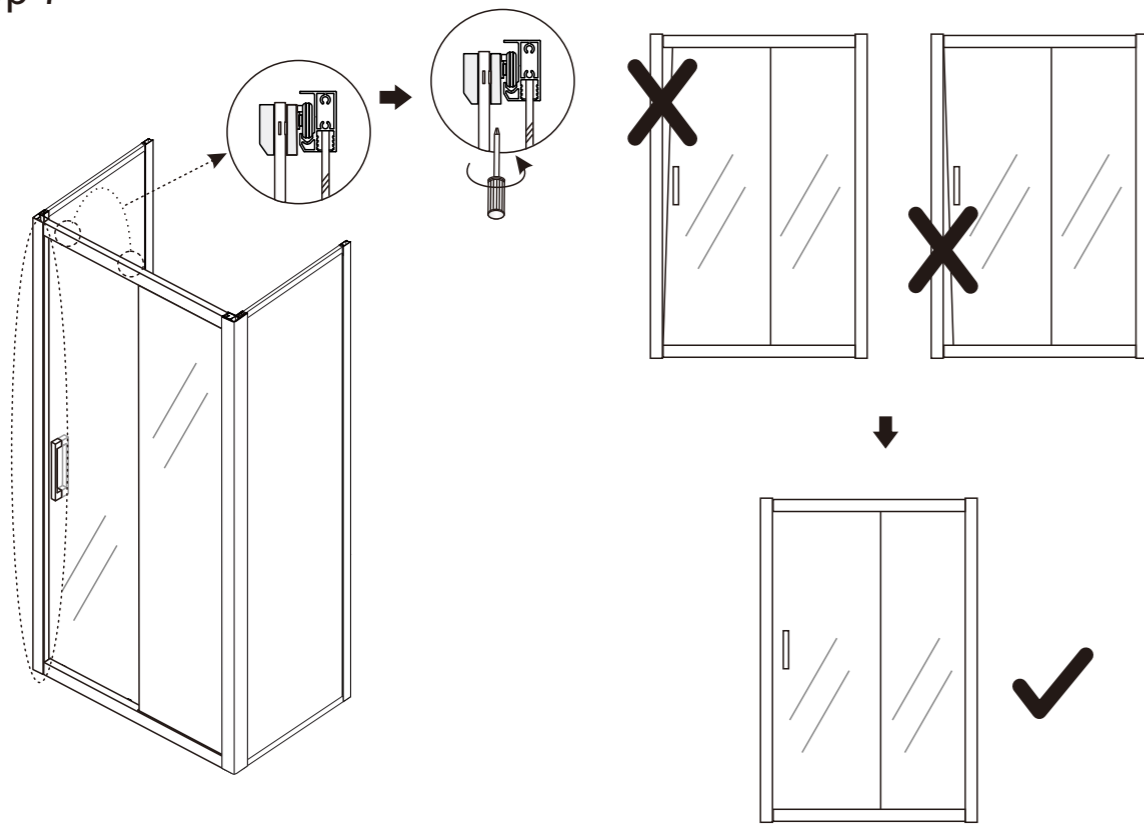
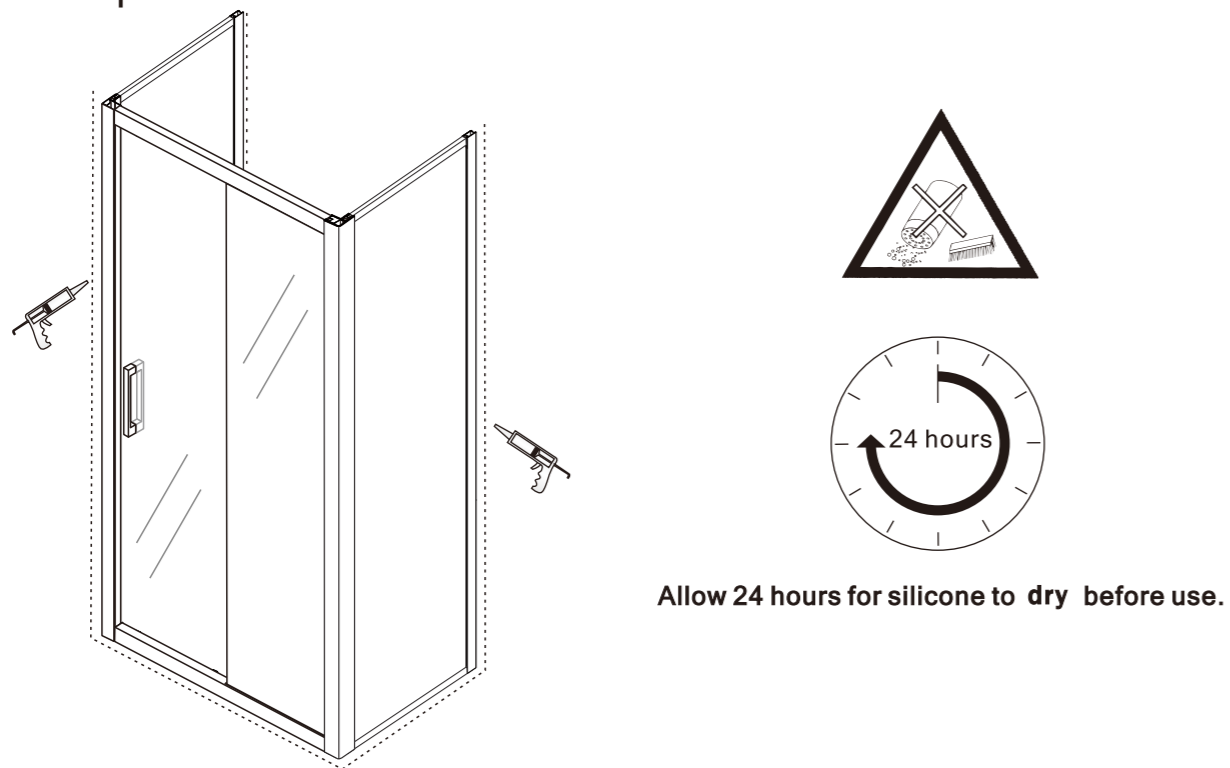


Step 7

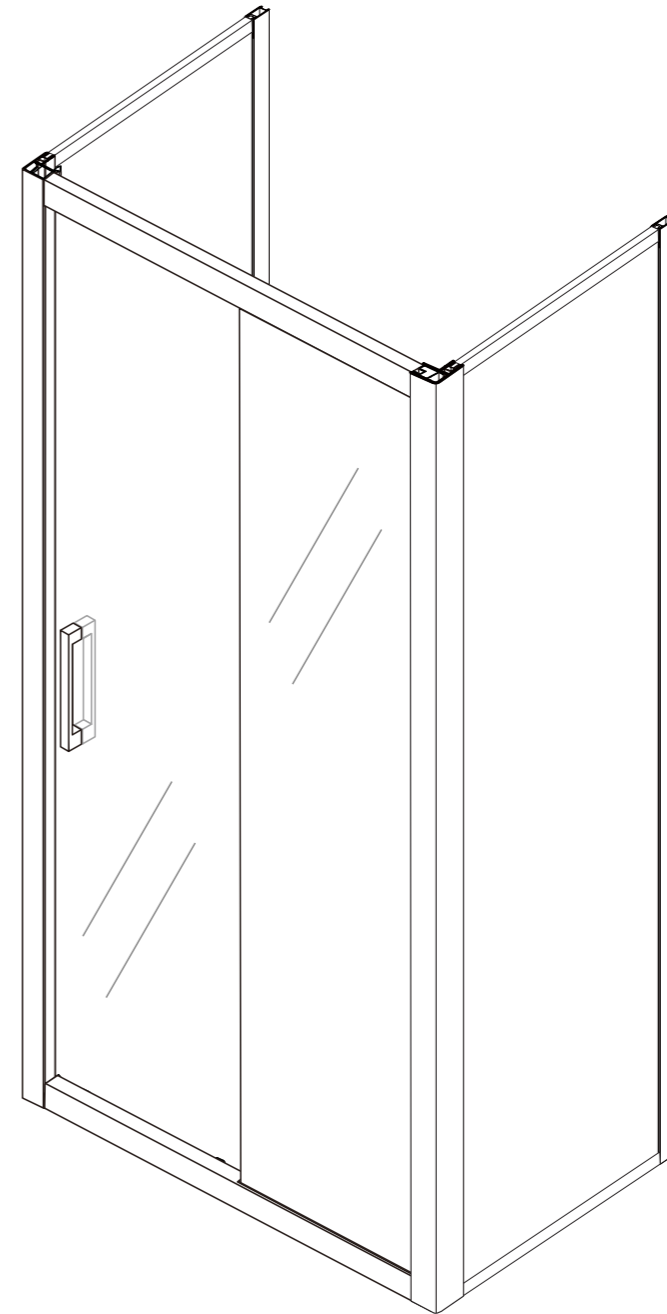


Step 8



INSTALLATION MANUAL

NEPTUM Reversible Sliding Door and Two Side Panels (for three-sides installation)



IPERCERAMICA
wellness

BayKer Italia S.p.A. via Ghiarola Nuova, 85/87 – 41042 Fiorano Modenese (MO) – ITALY
www.iperceramica.it

◆ General Information

Please inspect the product immediately upon receipt for transit damage, missing packs/parts or manufacturing fault. Damage reported later cannot be accepted. Please handle the product with care avoiding knocks and shock loading to all sides and edges of the glass.

Notes: Safety glass can not be re-worked.

Please read these instructions carefully before start of installation.

Special care should be taken when drilling walls to avoid hidden pipes or electrical cables.

Note: This product is heavy and may require two people to install.

Aftercare instructions

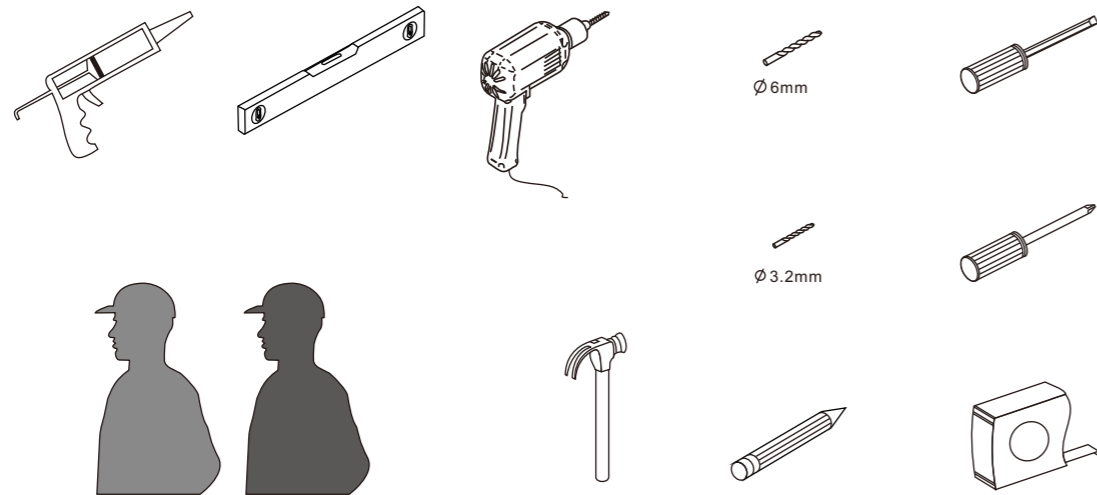
After use, your shower should be cleaned with soap and water. This is particularly important in hard water districts where insoluble lime salts may be deposited and allowed to build up.

Cleaners of a gritty or abrasive nature should not be used. Care should be taken to avoid contact with strong chemicals such as organic solvents and strippers.

Glass cleaners can be used but with caution, if in doubt contact the manufacturer of the cleaner in question.

Please keep these instructions for aftercare and customer service details.

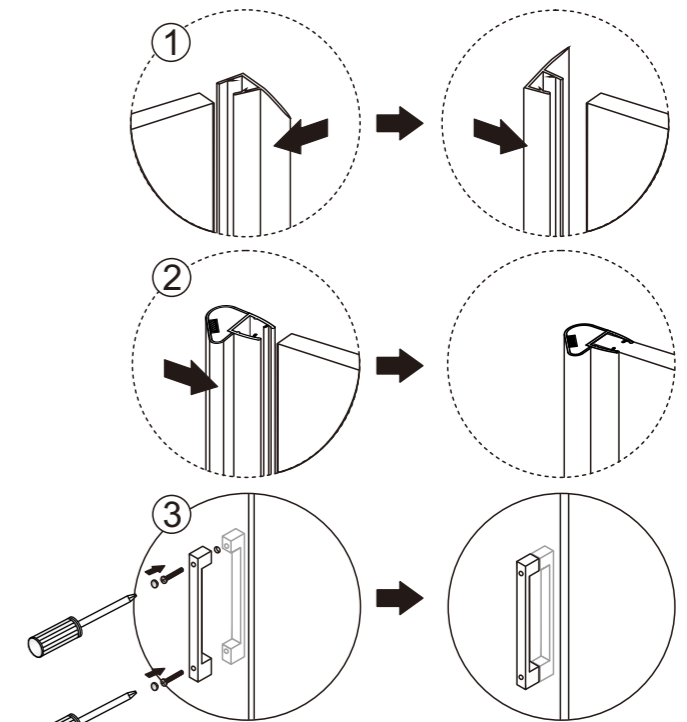
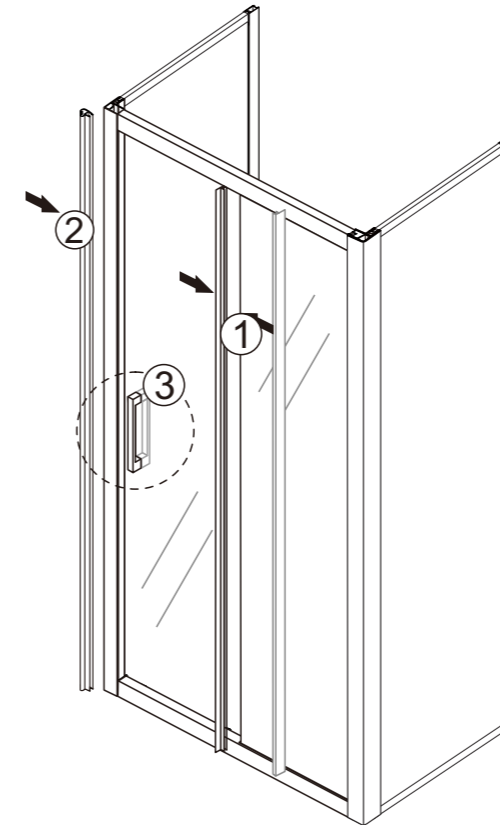
Tools Required



This product is heavy and may require two people to install.

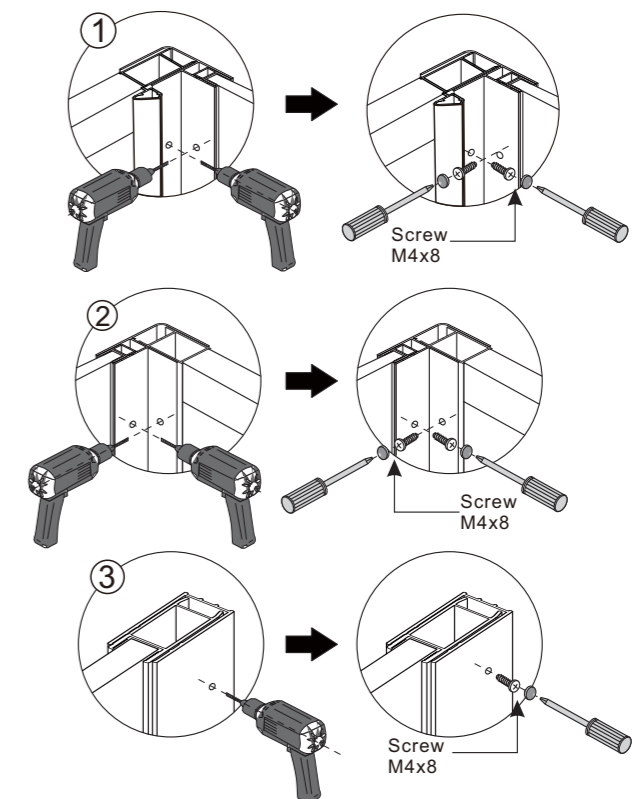
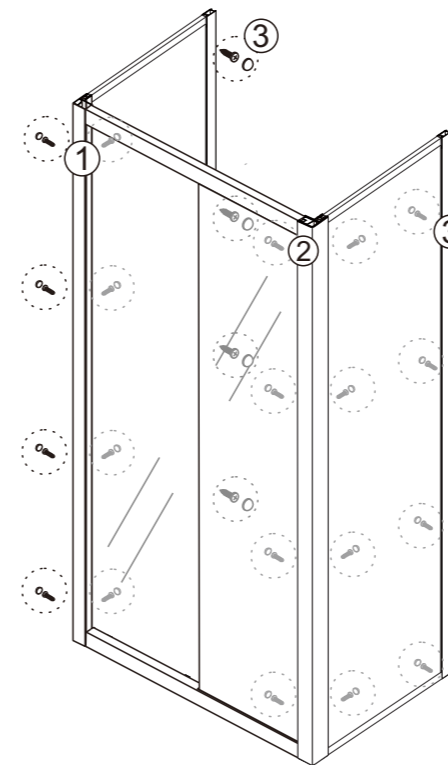


Step 5

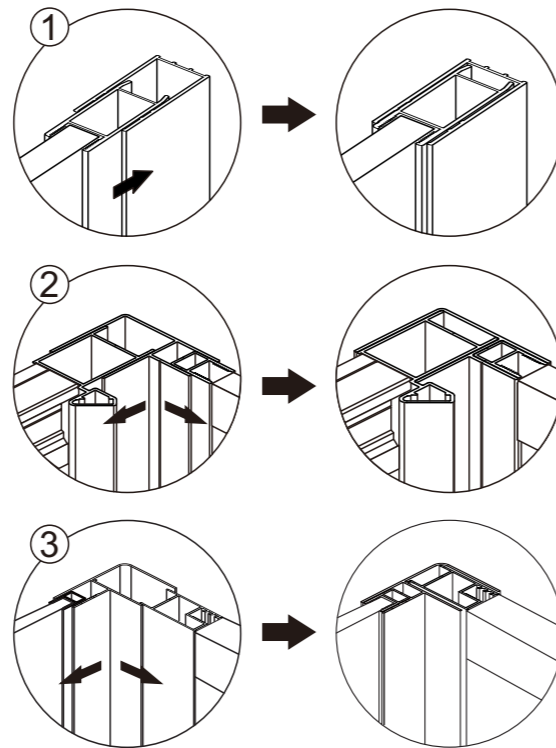
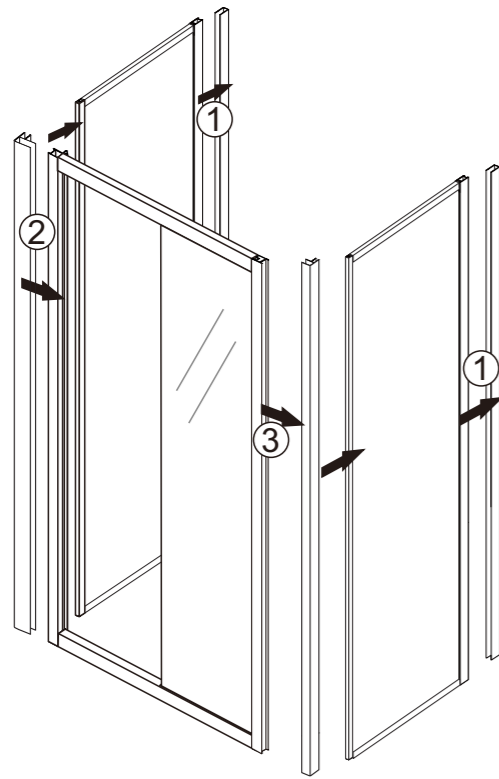


View from inside

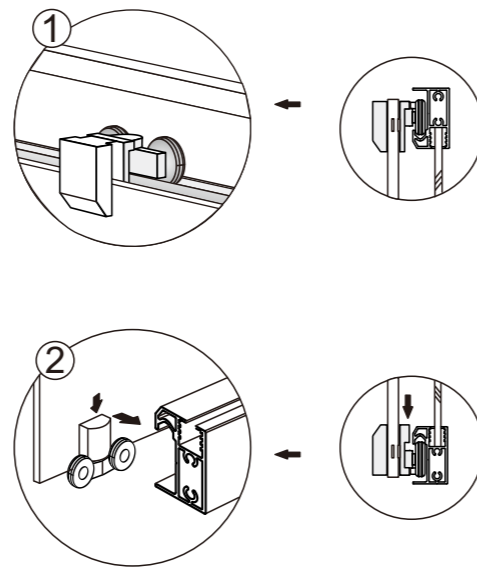
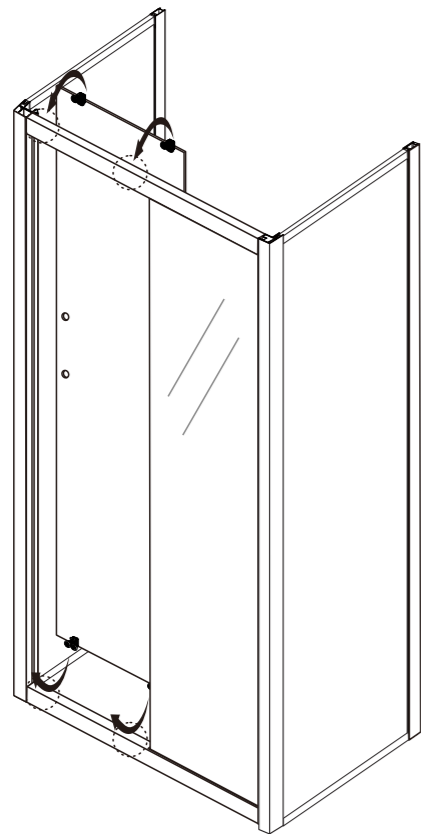
Step 6




Step 3





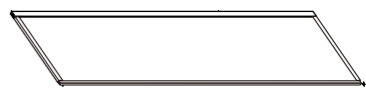


Step 4


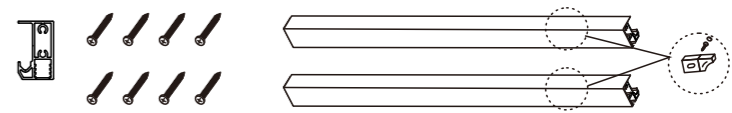





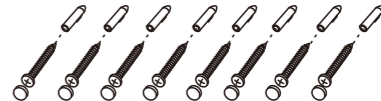

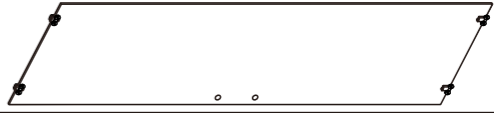
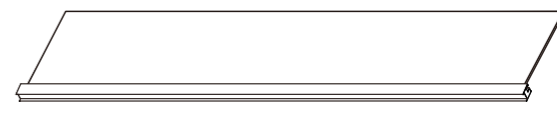


 The clip wheels will use on the bottom

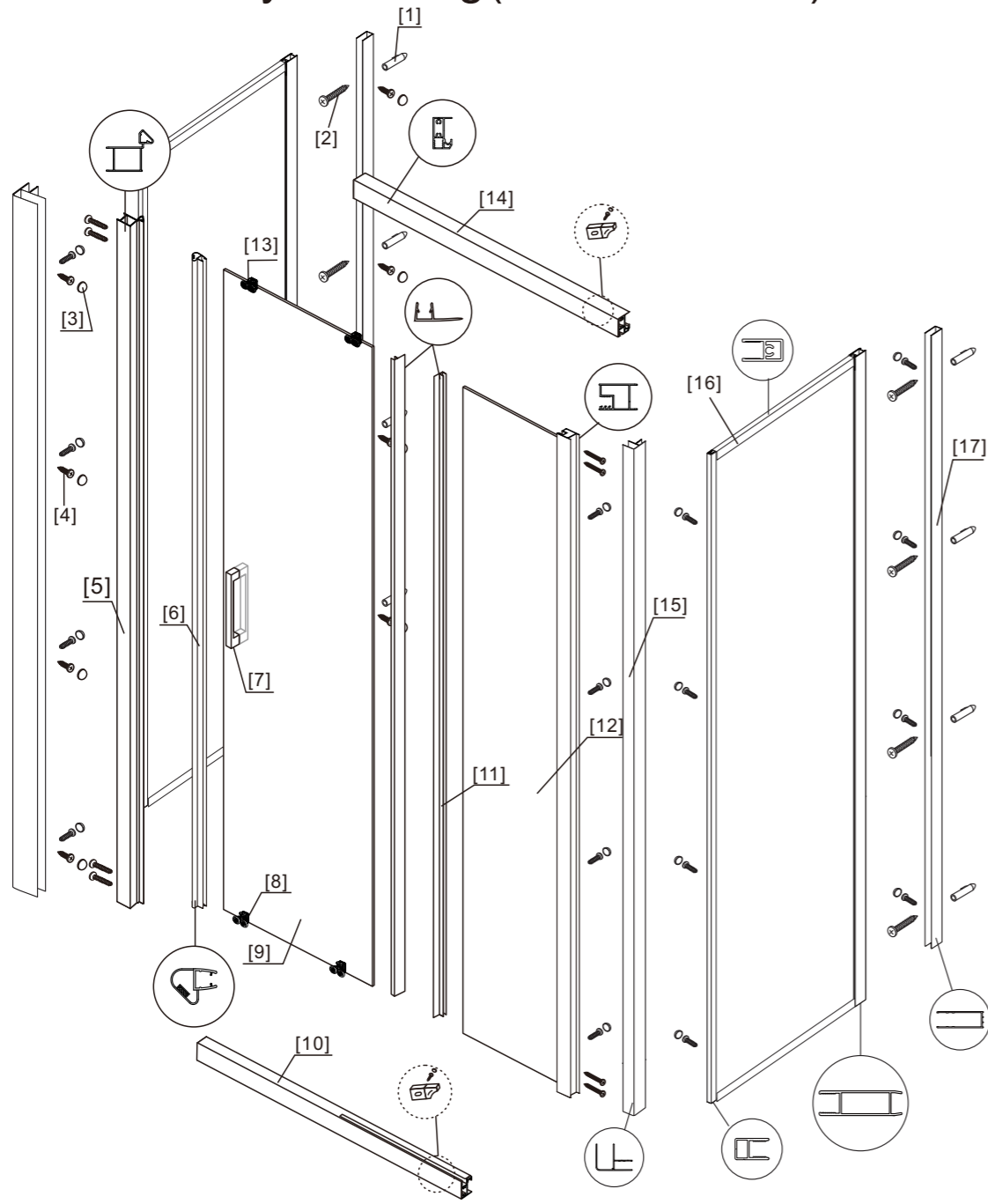
◆ Side Panel Box Contents x2

[1] 1xInstallation Instruction.	➔	
[2] 1xWall profile B.	➔	
[3] 1xCorner post.	➔	
[4] 8xScrews M4x8. 8xScrew Cover Caps.	➔	
[5] 1xSide Panel.	➔	

◆ Box Contents:

[1] 1xInstallation Instruction.	➔	
[2] 2x Horizontal Rail. 8xScrews M4x35.	➔	
[3] 2xWall Posts.	➔	
[4] 1xPosts.	➔	
[5] 1xMagnet Seal.	➔	
[6] 2xDeflectors	➔	
[7] 1xHandle Set.	➔	
[8] 8xWall Plugs. 8xScrews M4x35. 8xScrew Cover Caps.	➔	
[9] 8xScrews M4x8. 8xScrew Cover Caps.	➔	
[10] 1xDoor Panel. 2xTop Rollers. 2xBottom Rollers.	➔	
[11] 1xFixed Panel.	➔	

◆ Assembly Drawing(three cartons)

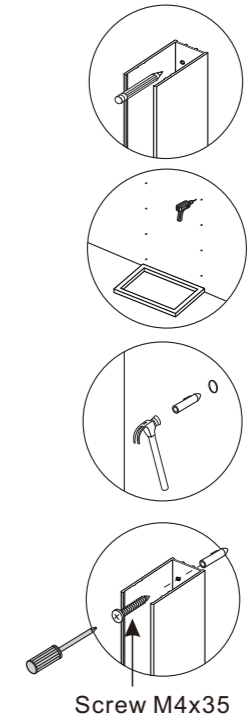
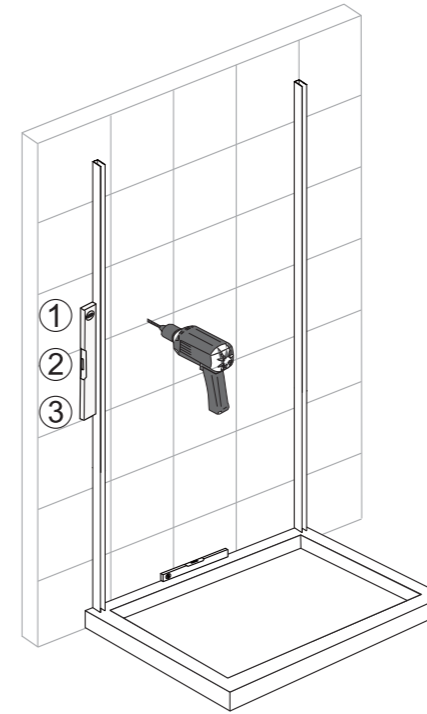


- [1] 8xWall Plugs
- [2] 16xScrews M4x35
- [3] 24xScrew Cover Caps
- [4] 24xScrews M4x8
- [5] 1xPost
- [6] 1xMagnet Seal
- [7] 1xHandle Set
- [8] 2xBottom Rollers
- [9] 1xDoor Panel

- [10] 1xBottom Horizontal Rail
- [11] 2xDeflectors
- [12] 1xFixed Panel
- [13] 2xTop Rollers
- [14] 1xTop Horizontal Rail
- [15] 2xCorner Posts
- [16] 2xSide Panels
- [17] 2xWall profiles

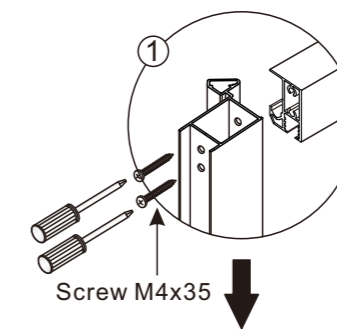
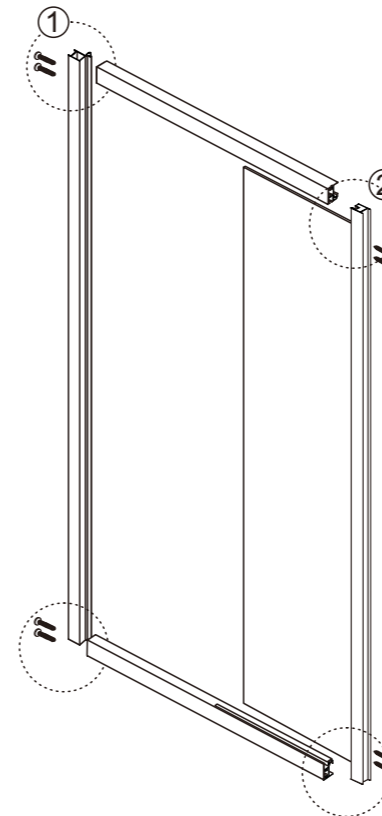
◆ Installation Steps

Step 1

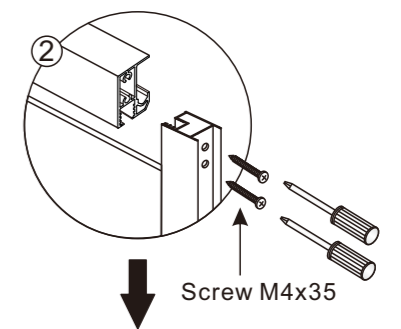


Screw M4x35

Step 2



Screw M4x35



Screw M4x35